



Little David delivers packaging equipment that works for you.

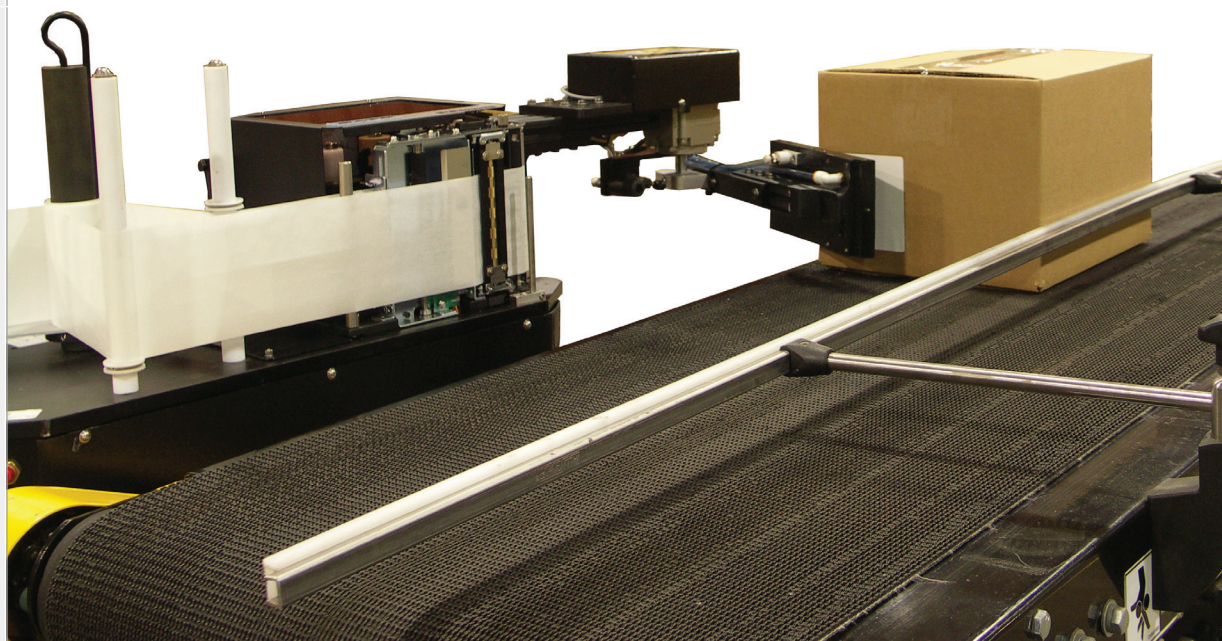
Little David LX-800DT



LX-800DT Print & Apply

Functional Labeling for the Real World

This easy to use labeler is designed for dual tamp, single tamp, and corner wrap applications. Enhanced versatility, and simplified operation make the LX-800DT a clear choice for real world print & apply applications.



Features of the LX-800DT Include:

- ▣ Simplified Control Panel with User Friendly Touch Screen
- ▣ Easy-Read Vacuum and Pressure Gauges
- ▣ Isolated Rewind Shut-Off: Allows users to remove used backing material without powering down the unit
- ▣ Simplified Set-Up: From pallet to production in less than 10 minutes
- ▣ Robust Industrial Design
- ▣ UL Listed Controls



LITTLE  DAVID

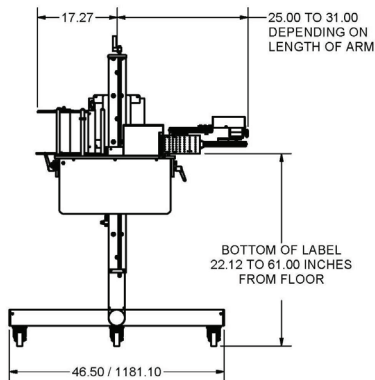
LX-800DT

Features:

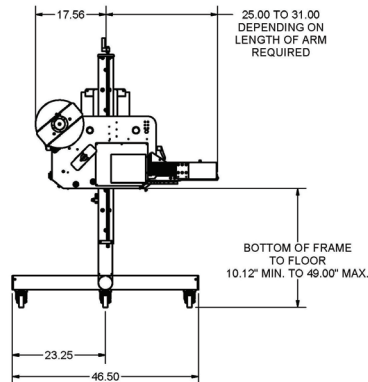
- Simplified Control Interface
- Isolated Rewind Shut Off- Disengage rewind for backing removal without powering down the whole system
- Cast Aluminum Frame- Stronger with fewer individual parts
- Increased Width- Frame capable of running max. and min. width of all OEM printers
- Customizable Applicator Pads (Single/Double/CW Labeling)
- Easily changes from single tamp, to dual tamp, to corner wrap
- Mounting Stand can turn machine to any angle or position

Machine Specifications:

Side-Apply



Top-Apply



Included Mounting Stand

- Redesigned stand allows machine to be turned to any angle or position.
- Utilizes total-lock casters



Printer/Applicator Data:

- Standard Printer:** Sato S84 or SE Series (Zebra Available)
- Printing Label Speed:** Up to 16" per second
- Accuracy:** +/- 1/32" (+/- .79mm) with constant product delivery
- Product Sensing:** Photoelectric (diffused proximity)
- Label Sensing:** Photoelectric(printer)
- Print Resolution:** 203 dpi, 305 dpi, and 609 dpi
- Printing Method:** Thermal transfer printer (direct thermal available)
- Communication Interface:** RS232C (optional interfaces available)
- Bar Code Symbology:** UPC-A, UPC-F, EAN-8, Code 39, Code 128 Interleaved 2/5, UCC/EAN 128, Postnet, 2D and many others.

Label Specifications:

*Exact dimensions dependant on printer selected

Label Dimensions:

 (Sato and Zebra specs. below)

- Width: .75" - 6.6" (19.05mm- 167.64mm)
- Length: 1" to 12"(25.4mm - 304.8mm) - in excess of 12" is available

Label Roll Requirements:

- Finish: Pressure sensitive die cut with 1/8" (3.17mm) gap
- Outside Diameter: 11-7/8" (301.6mm)
- Core Diameter: 3" (76.2mm)
Optional 4" (101.6mm) for labels over 6" (152.4 mm) long
- Outside Wound

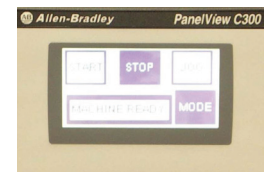
Available Options:

- Low label sensor with 3 color light pole
- Incoming Air Dryer
- Cleanable Vacuum Filters
- Hand-held Print Pad
- Spare Parts Kit

Simplified Touch Screen Interface:

Allows user to upload labels without bringing laptop onto the production floor

- Rugged Design
- Industrial Grade Hardware
- Off the Shelf, Allen Bradley Components



Distributor Information:

LOVESHAW
an ITW Company

2206 Easton Turnpike
P.O. Box 83
South Canaan, PA 18459
Tel: (800) 572-3434 Fax: (570) 937-3229
www.loveshaw.com

LOVESHAW Europe
A Division of ITW Ltd.

Unit 9 Brunel Gate,
West Portway Industrial Estate
Andover, Hampshire England SP 10 3 SL
Tel: (1264) 357511 Fax: (1264) 355964



©Lovesshaw, an ITW Company, 2010